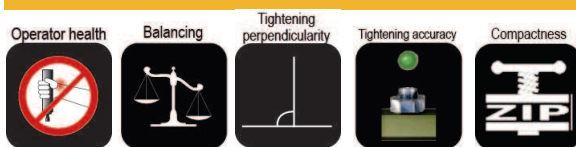




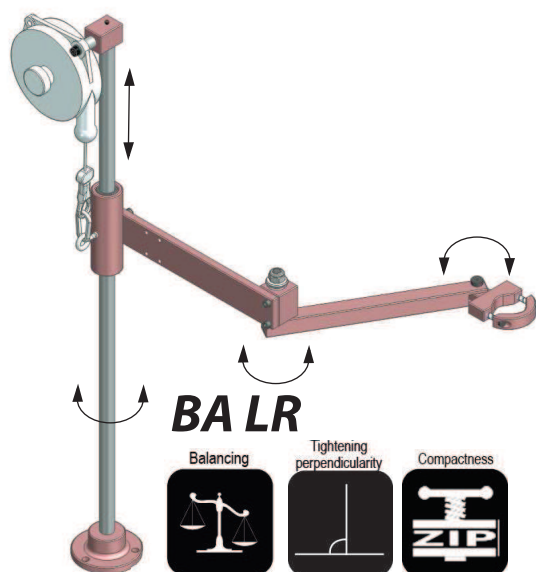
# Articulated reaction arms

## BA...R Series

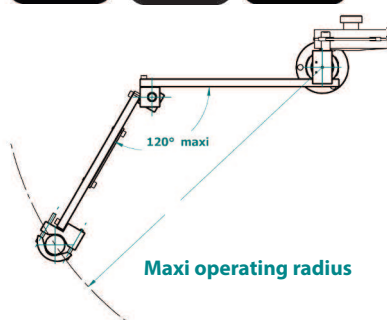
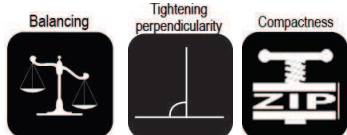


BA...R Series are equipped with a rotating articulation enabling a high working flexibility. Swivelling and folding up like a human arm, they are recommended for spaceless working places.

- Optimum ratio performance/dimensions (ideal for spaceless location)
- Economical and versatile : possibility to use on the same arm every kind of tools (straight, pistol, angle drivers) thanks to the large choice of clamps.
- Higher comfort for the operator thanks to the articulated arm (less movement inertia and better positioning accuracy).

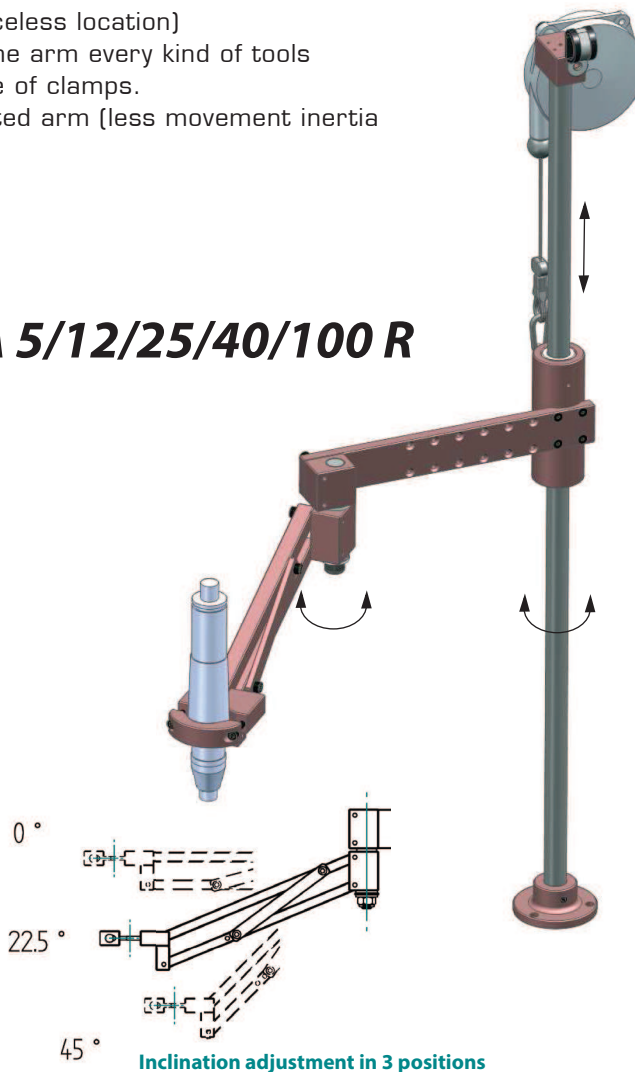


**BA LR**



Maxi operating radius

## BA 5/12/25/40/100 R



Inclination adjustment in 3 positions

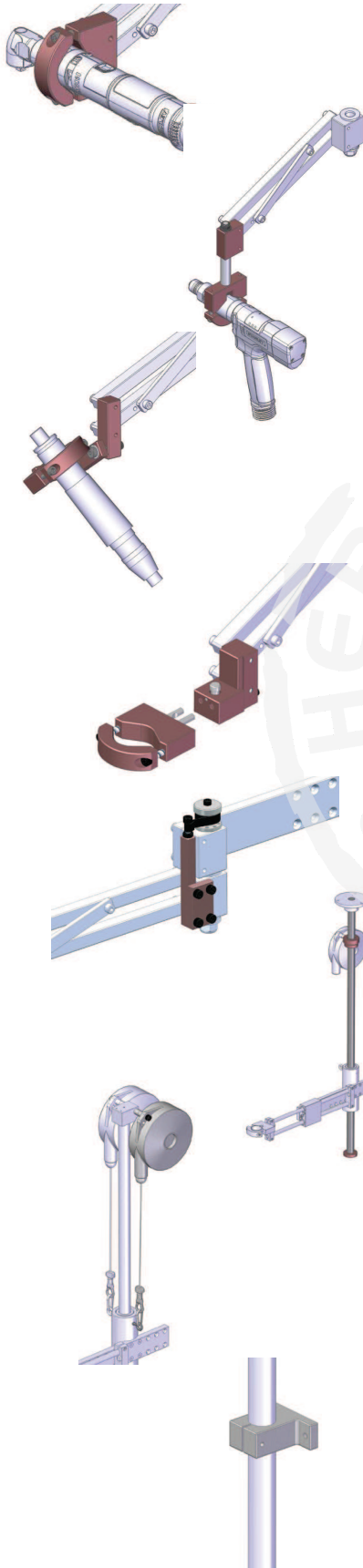
Model	Max torque (Nm)	Tool Ø (mm)	Max load (kg)	Max radius (mm)	Code
BA LR	-	25 - 42	0,9	450	4-1200826
BA 5 R	5	25 - 42	0,9	420	4-1200098
BA 12 R	12	25 - 50	1,2	450	4-1201001
BA 12 R	12	25 - 50	1,2	600	4-1201002
BA 25 R	25	28 - 52	2,2	445	4-1200070
BA 25 R	25	28 - 52	2,2	600	4-1200274
BA 25 R	25	28 - 52	2,2	800	4-1200275
BA 40 R	40	28 - 52	2,2 - 4*	630	4-1200071
BA 40 R	40	28 - 52	2,2 - 4*	800	4-1200276
BA 40 R	40	28 - 52	2,2	1000	4-1200277
BA 100 R	100	28 - 52	3,5 - 6*	715	4-1200072
BA 100 R	100	28 - 52	3,5 - 6*	900	4-1200278
BA 100 R	100	28 - 52	3,5	1100	4-1200279

\* With additional balancer - Code : 4-1200143.

Delivered with standard clamp for straight tool.

# Articulated reaction arms

## BA...R Accessories



### Clamp for angle nutrunner

For	Tool Ø (mm)	Code
BA 12 R	25 - 42	4-1200089
BA 25 & 40 R	28 - 52	4-1200090
BA 100 R	28 - 52	4-1200091

### Clamp for pistol tool

For	Tool Ø (mm)	Code
BA 12 R	25 - 42	4-1200087
BA 25 & 40 R	28 - 52	4-1200088

### 2 axis clamp

For	Tool Ø (mm)	Code
BA 12 R	25 - 42	4-1200093
BA 25 & 40 R	28 - 52	4-1200094

### Quick change clamp

For	Adaptater code	Code
BA 12 R	4-1200847	4-1201003
BA 25 R	4-1200848	4-1200017
BA 40 R	4-1200848	4-1200017

### Auto rest spring

For	Code
BA 5/12 R	4-1200849
BA 25 R	4-1200850
BA 40 R	4-1200851

### Inverse mounting kit

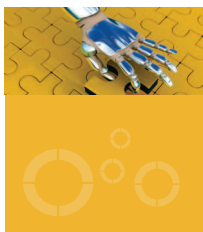
For	Code
BA 5 R	4-1200385
BA 12 & 25 R	4-1200128
BA 40 & 100 R	4-1200129

### Additional balancing kit

For	Arm max load (kg)	Code
BA 40 R	4	4-1200143
BA 100 R	6	4-1200143

### Pole upper clamp

For	Interface (mm)	Code
BA 12 & 25 R	2 Ø 4,3 at 45 mm from pole axis	4-1200130
BA 40 & 100 R	2 Ø 5,3 at 60 mm from pole axis	4-1200131

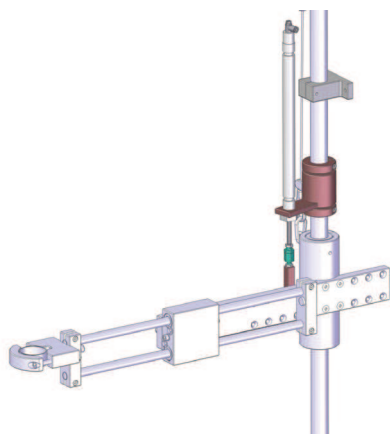


# Articulated reaction arms

## BA...R Accessories

### Downward assistance kits

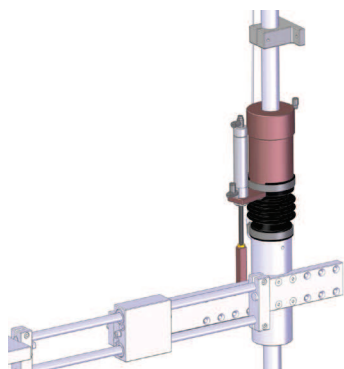
Downward assistance kits will provide you with extreme comfort and productivity increase. Ideal for self-tapping applications it requires no effort from the operator. BAPER system features a built-in collet check that allows the system to be used at any height. Easy push system operates only at a preset height by using a mechanical stop that is set along the pole.



#### EASY PUSH

Model	For	Pushing force (kg)	Stroke (mm)	Type	Code
EASY PUSH	BA 12 R	5	125	Pneumatic	4-1200099
EASY PUSH	BA 25 R	9	160	-	4-1200102
EASY PUSH	BA 40 & 100 R	9	200	-	4-1200103
EASY PUSH	BA 12 R	5	125	Electric	4-1200838
EASY PUSH	BA 25 R	9	160	-	4-1200839
EASY PUSH	BA 40 & 100 R	9	200	-	4-1200840
Easy Push Cable/GX					4-1200843
Easy Push Cable/DELVO					4-1200844
Cable without connector					4-1200845
U3-D Interface for GX screwdrivers					6-1041888

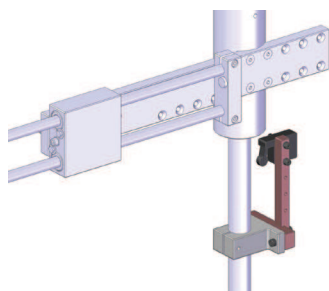
EASY PUSH kits are delivered without cable.



#### BAPER

Model	For	Pushing force (kg)	Type	Code
BAPER	BA 12 R	5	Pneumatic	4-1200095
BAPER	BA 25 R	8	-	4-1200096
BAPER	BA 40 & 100 R	8	-	4-1200097
BAPER	BA 12 R	5	Electric	4-1200830
BAPER	BA 25 R	8	-	4-1200831
BAPER	BA 40 & 100 R	8	-	4-1200832
BAPER Cable/GX				4-1200833
BAPER Cable/DELVO				4-1200834
Cable without connector				4-1200835
U3-D Interface for GX screwdrivers				6-1041888

Electric BAPER kits are delivered without cable.



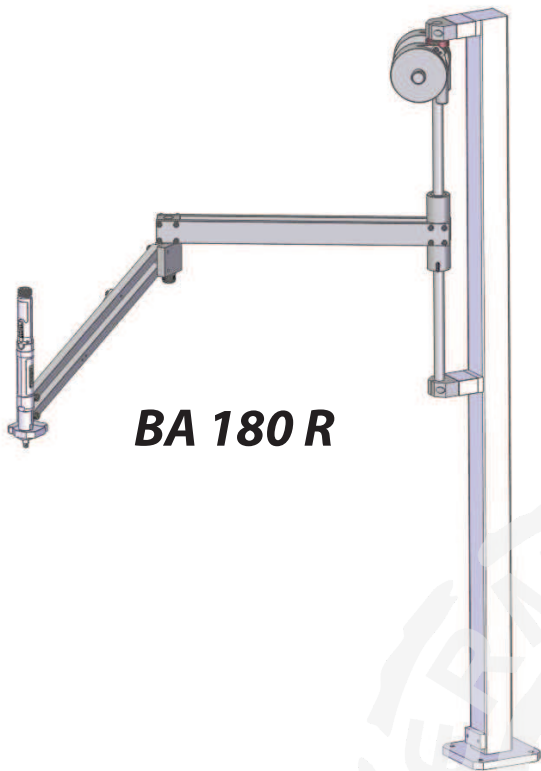
#### Safety kit

Model	For	Code
Safety kit	BA 12 & 25 R	4-1200134
Safety kit	BA 40 & 100 R	4-1200135

The safety kit allows to avoid activation of downward assistance before powerbit gets in contact with the screw.

# Articulated reaction arms

## BA...R high torque



**BA 180 R**



**BA 200/500 R**



**BA 180 R**

Model	Max. torque (Nm)	Max load (kg)	Max radius (mm)	Code
BA 180 R / 1200	180	6	1200	4-1201095
BA 180 R / 1500	180	4	1500	4-1200827

Delivered without tool clamp, floor post and not anodized.



**BA 200 R / 500 R**

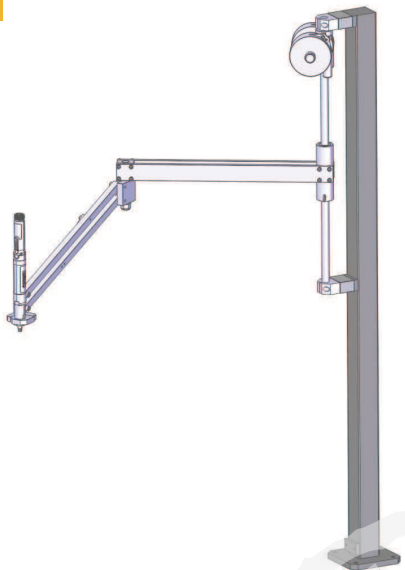
Model	Max. torque (Nm)	Max load (kg)	Max radius (mm)	Code
BA 200 R	200	20	2000	4-1200828
BA 500 R	500	40	2000	4-1200829
BA 500 R/2500	500	30	2500	4-1283106
BA 500 R/3000	500	40	3000	4-1283107

Delivered without tool clamp.  
Higher capacity on request.



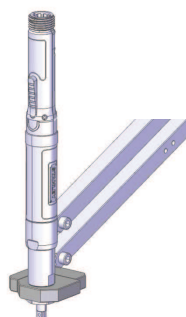
# Articulated reaction arms

BA...R high torque accessories



## **BA 180 R equipped with floor post (optional)**

The BA 180 R can be mounted directly on your structure or on an optional post to split on the floor.



## **Arm/power tools interface for straight tools and for angular tool with BA180R**

**Code: 4-1201105.**

*Note: please precise the screwdriver type.*



## **BA 100/200/400 and 100/180R Floor Post**

**Code: 4-1201096.**

## **Pneumatic break with rotating clamp (option)**



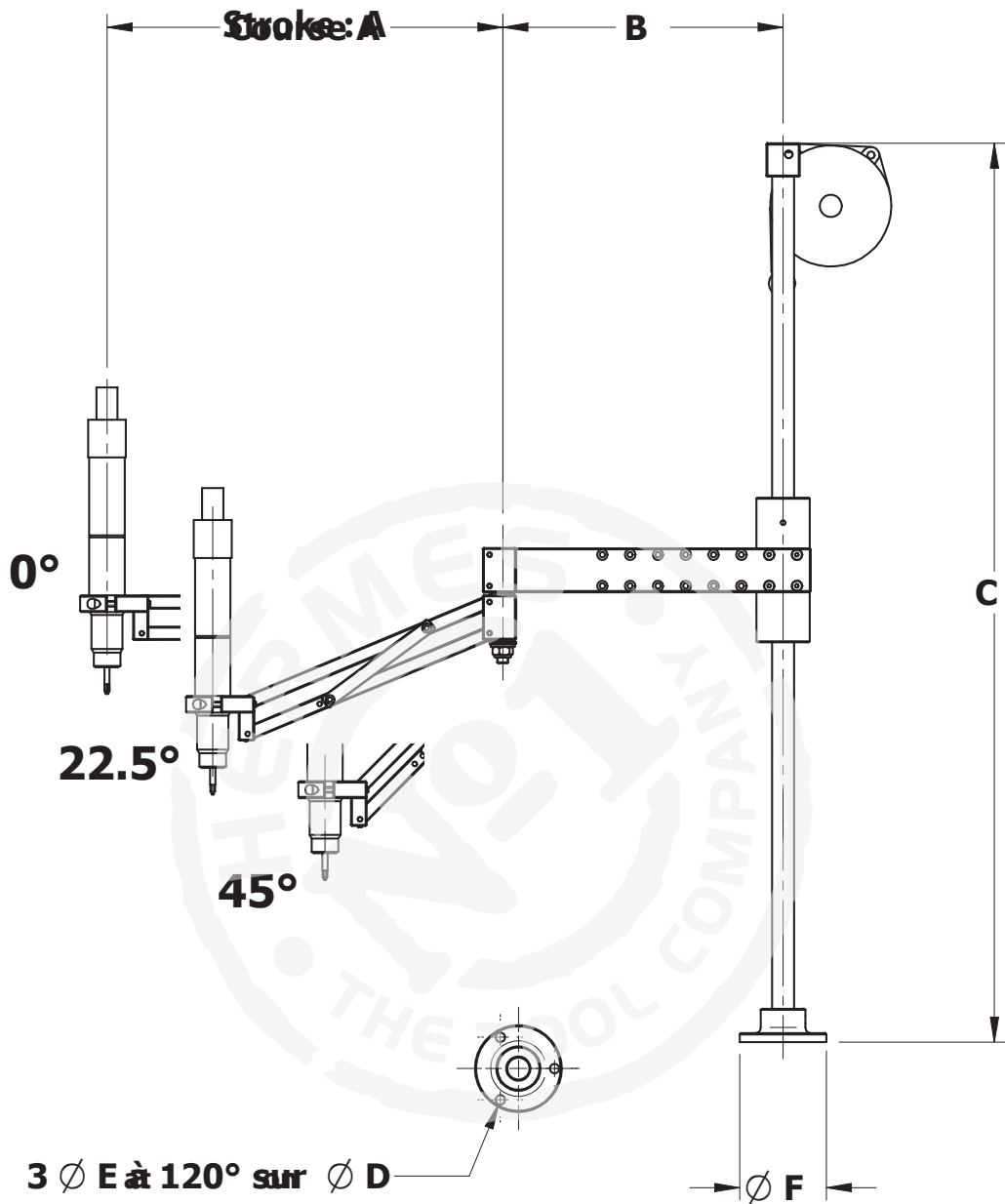
## **BA 200R/500R**

Numerous options are available to meet your process requirement :

- pneumatic break
- rotating clamp
- controller base plate
- remote start handle

# Articulated reaction arms

## BA...R 5 to 100 Dimensions



### BA...R dimensions

Model	A 0° (mm)	A 22,5° (mm)	A 45° (mm)	Min	B Max (mm)	C (mm)	Operating radius at 22,5° (mm)
BA 5 R	259	243	192	132	212	705	420
BA 12 R	279	261	209	102	252	808	450
BA 12 R / 600	332	310	247	332	357	808	600
BA 25 R	296	278	227	95	245	908	460
BA 25 R / 600	358	336	271	305	330	908	600
BA 25 R / 800	483	452	360	417	442	908	800
BA 40 R	414	387,5	310,5	150	350	1008	650
BA 40 R / 800	503	470	374	415	415	1008	800
BA 40 R / 1000	640	597	471	520	520	1008	1000
BA 100 R	462	433	351	205	405	1008	730
BA 100 R / 900	564	528	425	470	520	1008	900
BA 100 R / 1100	694	648	517	585	635	1008	1100

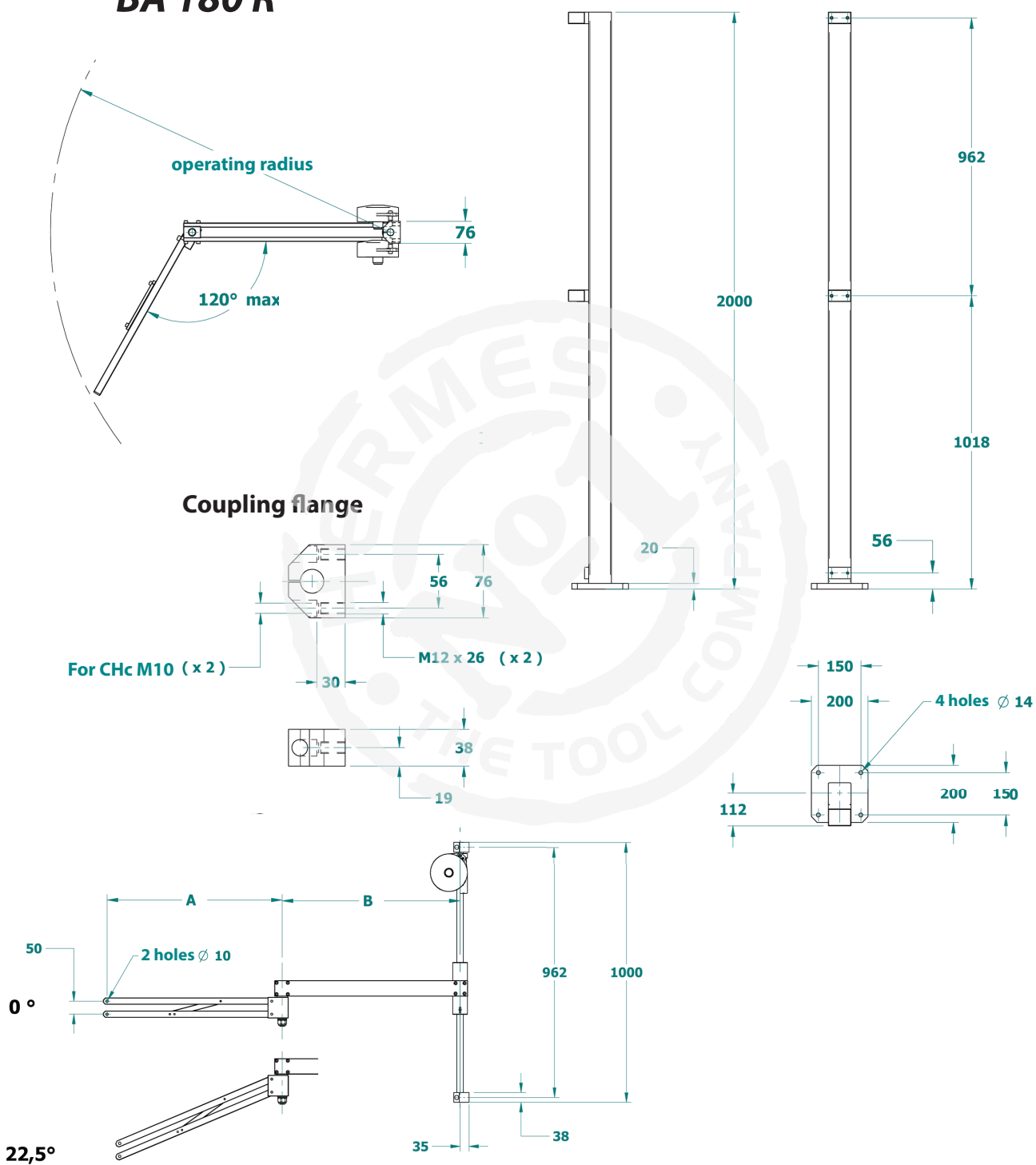


# Articulated reaction arms

## BA 180 R Dimensions

Floor post

### BA 180 R



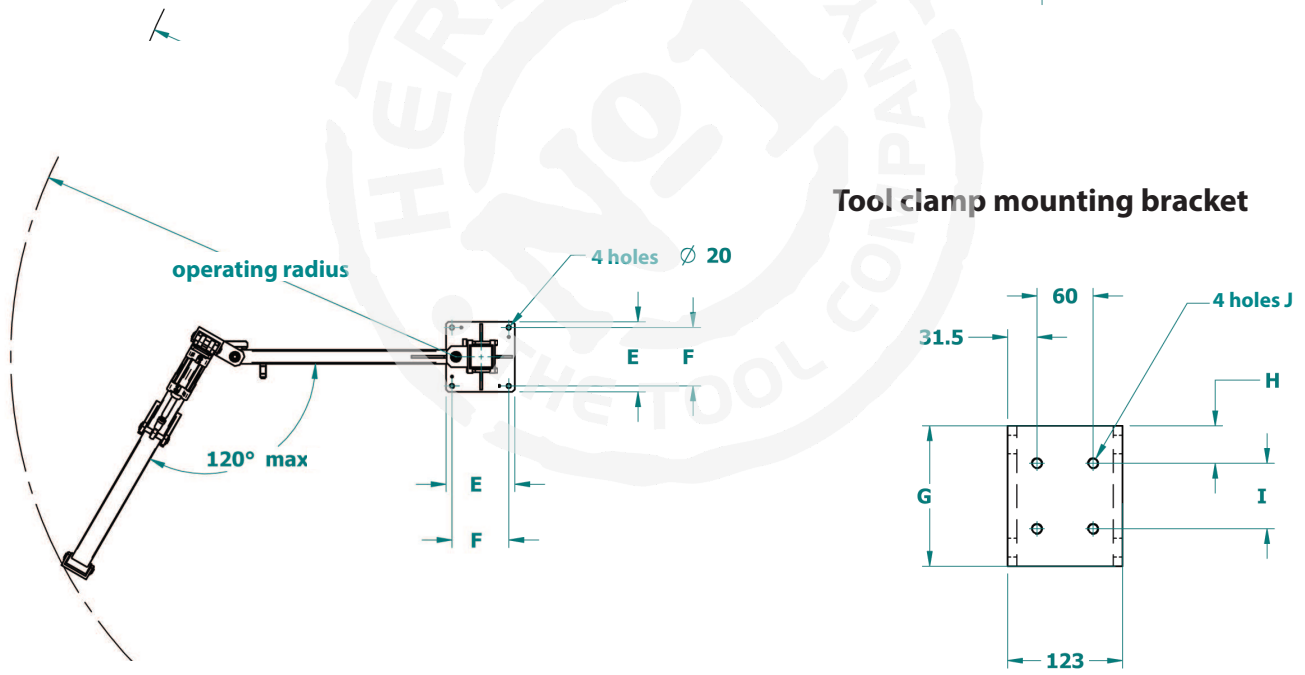
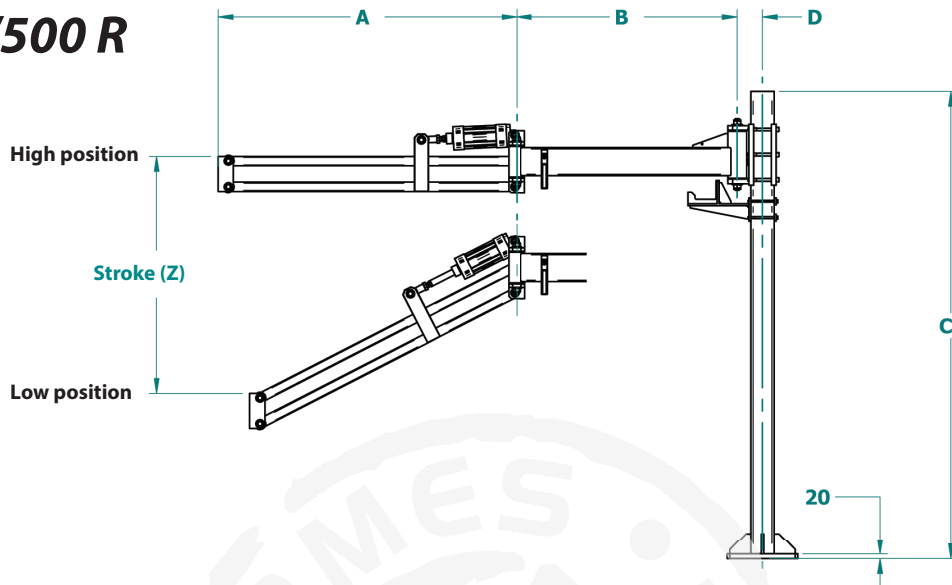
Type	A (0°)	A (22,5°)	B	C	Operating radius
BA 180 R/1200	686	637	700	2000	1200
BA 180 R/1500	820	760	855	2000	1500



# Articulated reaction arms

## BA 200 & 500 R Dimensions

### BA 200/500 R



Model	A (high position)	Z (Stroke)	B	C	D	E	F	G	H	I	J	K	Operating radius
BA 200 R	1278	559	943	2000	108	300	250	150	40	70	M12	108	1900
BA 500 R	1278	559	943	2000	118	400	350	170	45	80	M16	118	1900
BA 500 R/2500	1478	650	1293	2000	118	400	350	170	45	80	M16	118	2400
BA 500 R/3000	1978	1100	1560	2000	118	500	450	170	45	100	M16	118	2900





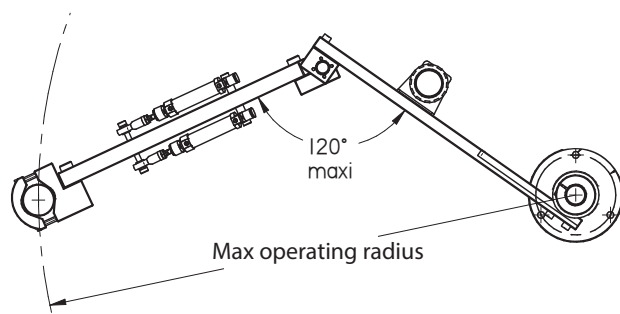
# Articulated and air balanced pantograph

## BA...G Series



Inspired from the BA...R Series, the BA...G Series provides you even more flexibility and confort thanks to the air balanced design.

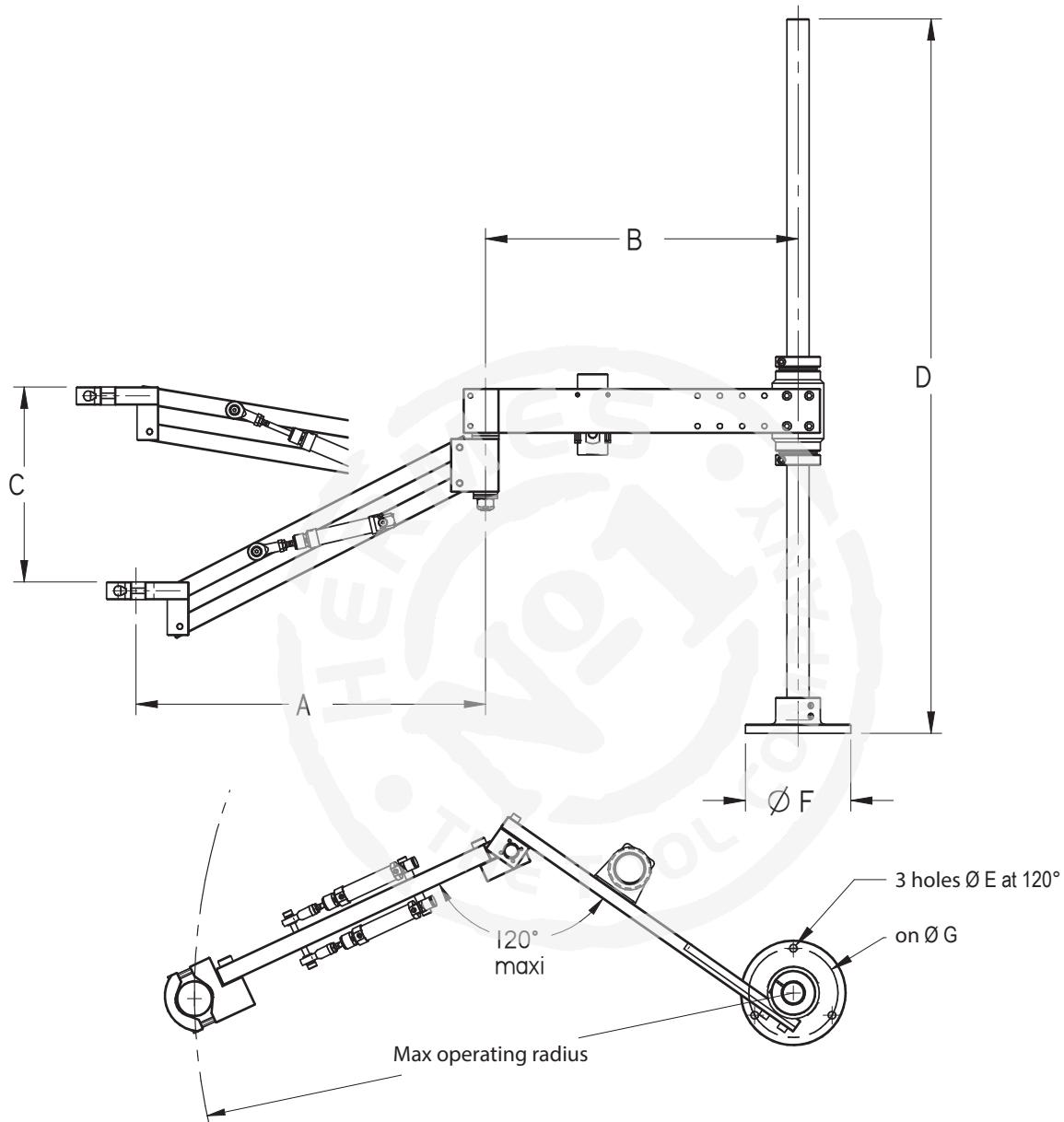
- Softly air balanced !
- Quick and quiet !



Model	Torque Max (Nm)	Tool Ø (mm)	Vertical Stroke (mm)	Maxi load (Kg)	Max radius (mm)	Code
BA10 G	10	25 - 50	170	1	470	4-1201013
BA10 G/600	10	25 - 50	170	1	600	4-1201014
BA30 G	30	28 - 52	220	2	670	4-1201015
BA30 G/800	30	28 - 52	220	2	800	4-1201016

# Articulated and air balanced pantograph

## BA...G Series



Model	A (down position)	B mini	B maxi	C Vertical Stroke	D	Dim. E	Dim. F	Dim. G	Max radius (mm)
BA10 G	260	202	252	170	600	8,5	78	65	470
BA10 G/600	260	357	407	170	600	8,5	78	65	600
BA30 G	391	250	350	218	800	8,5	118	100	670
BA30 G/800	391	405	505	218	800	8,5	118	100	800